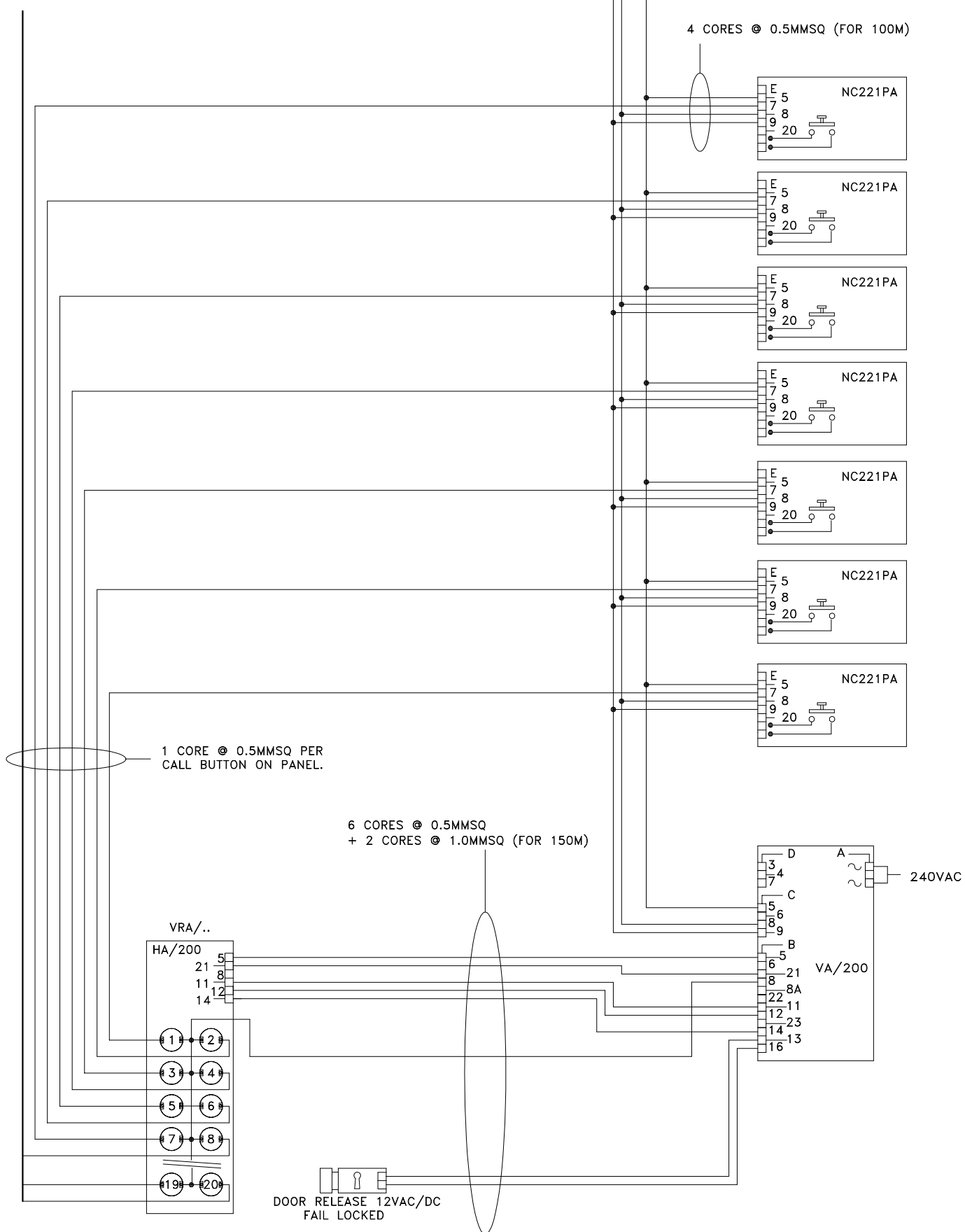


NOTE:
THIS DRAWING INDICATES AND ASSUMES THE USE OF
A MINIMUM OF 0.5MM CSA PER CORE.

CALL LINES TO FURTHER
HANDSETS

TO FURTHER HANDSETS

4 CORES @ 0.5MMSQ (FOR 100M)



BPT (UK) LTD.
HERTS. ENGLAND

PREPARED FOR
INSTALLER INFORMATION

DATE: 05/05/04

DRAWN: RC

REVISED:

DRAWING TITLE:

MULTI-FLAT INSTALLATION USING 1 VR
AUDIO ENTRY PANEL & NOVA AUDIO UNITS

DRAWING No: B-NV1NNL(AUD)